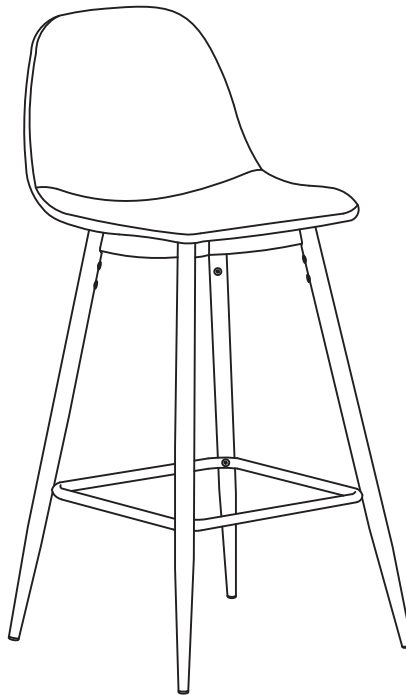









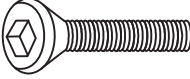
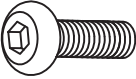


Counter Stool / Bar Stool
CF501625 / CF501629



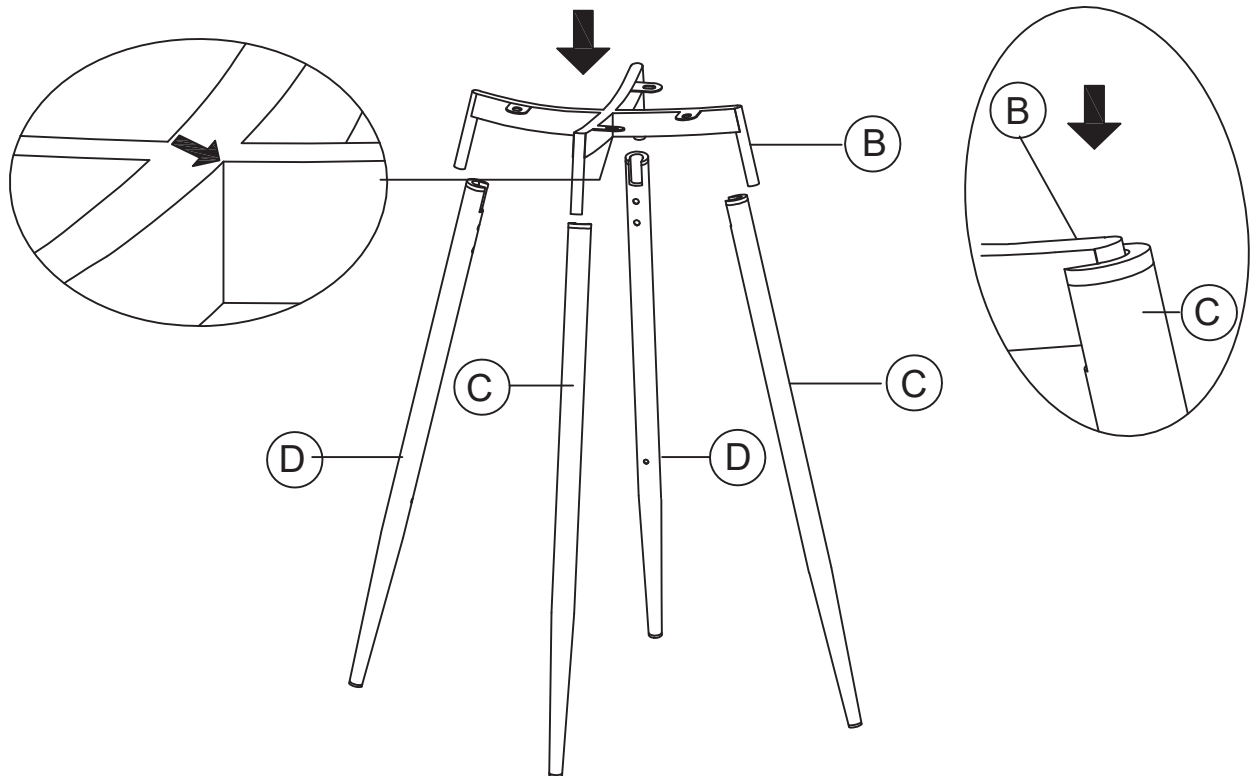
PARTLIST

<div data-bbox="153 174 188 215" style="border: 1px solid black; padding: 2px;">A</div> 	<div data-bbox="416 174 451 215" style="border: 1px solid black; padding: 2px;">B</div> 	<div data-bbox="679 174 715 215" style="border: 1px solid black; padding: 2px;">C</div> 	<div data-bbox="943 174 978 215" style="border: 1px solid black; padding: 2px;">D</div> 	<div data-bbox="1206 174 1241 215" style="border: 1px solid black; padding: 2px;">E</div> 
<p style="text-align: center;">Seat 2PCS</p>	<p style="text-align: center;">Cross Frame 2PCS</p>	<p style="text-align: center;">Front Leg red sticker #3 4PCS</p>	<p style="text-align: center;">Back Leg red sticker #4 4PCS</p>	<p style="text-align: center;">Footrest 2PCS</p>

HARDWARE LIST

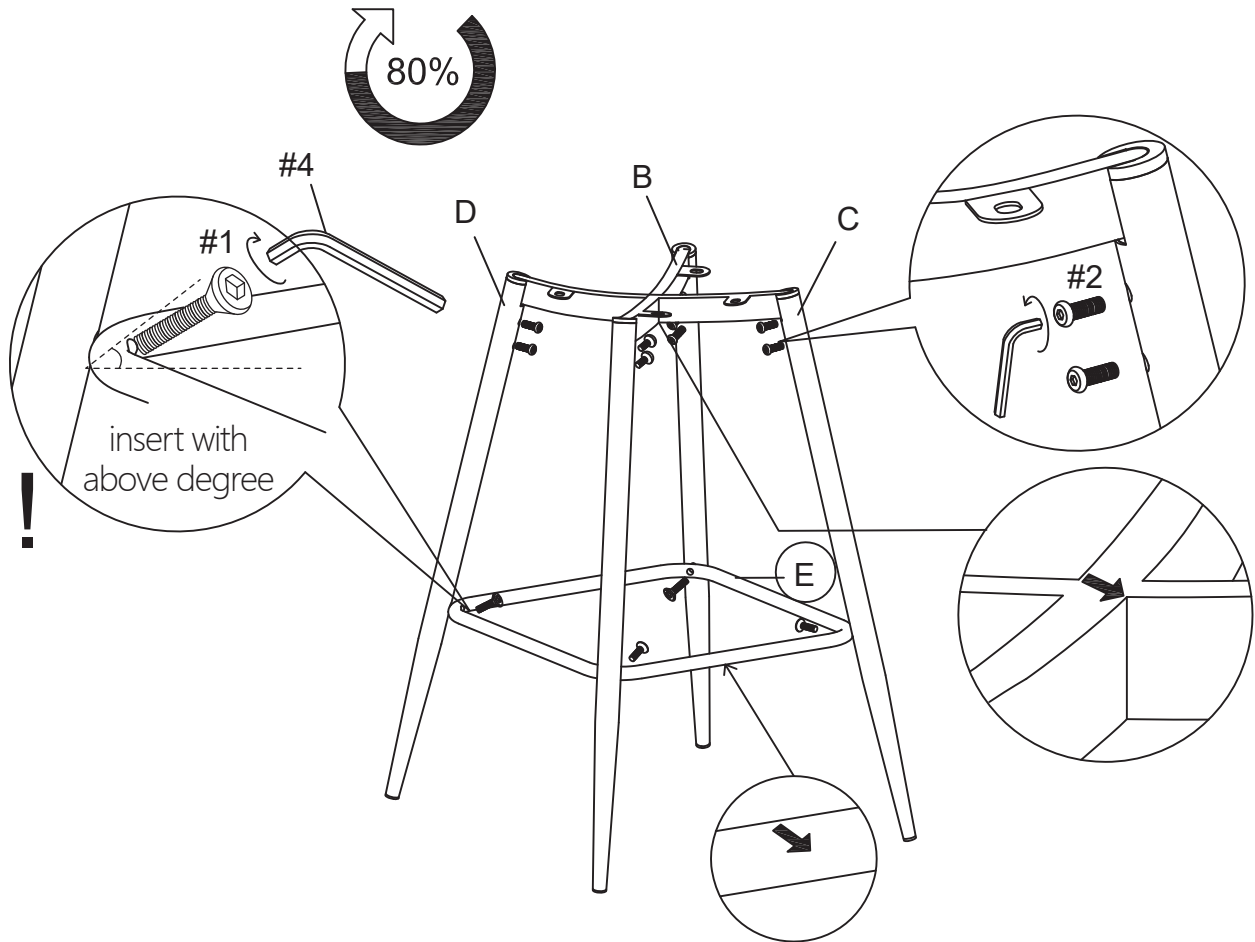
<div data-bbox="145 810 188 851" style="border: 1px solid black; padding: 2px;">#1</div>  <p style="text-align: center;">m6X20</p>	<div data-bbox="408 810 451 851" style="border: 1px solid black; padding: 2px;">#2</div>  <p style="text-align: center;">m6X16</p>	<div data-bbox="671 810 715 851" style="border: 1px solid black; padding: 2px;">#3</div>  <p style="text-align: center;">φ6</p>	<div data-bbox="935 810 978 851" style="border: 1px solid black; padding: 2px;">#4</div> 
<p style="text-align: center;">Long Bolt 8PCS(Extra 1)</p>	<p style="text-align: center;">Short Bolt 24PCS(Extra 1)</p>	<p style="text-align: center;">Flat Washer 8PCS(Extra 1)</p>	<p style="text-align: center;">Allen Wrench 1PC</p>

Step 1: Carefully install front legs (part C) and back legs (part D) to cross frame (part B).
Please notice red arrow sticker pointing to front side of cross frame (part B).



Step 2: Secure assembled unit (parts B, C & D) using short bolts (part #2) and allen wrench (part #4). Attach footrest (part E) to legs (parts C & D) using long bolts (part #1) and allen wrench (part #4). Long bolts (part #1) need to be inserted at an angle. Please notice red arrow sticker pointing to front side of footrest (part E).

NOTE: Please do not fully tighten bolts until unit is fully assembled.



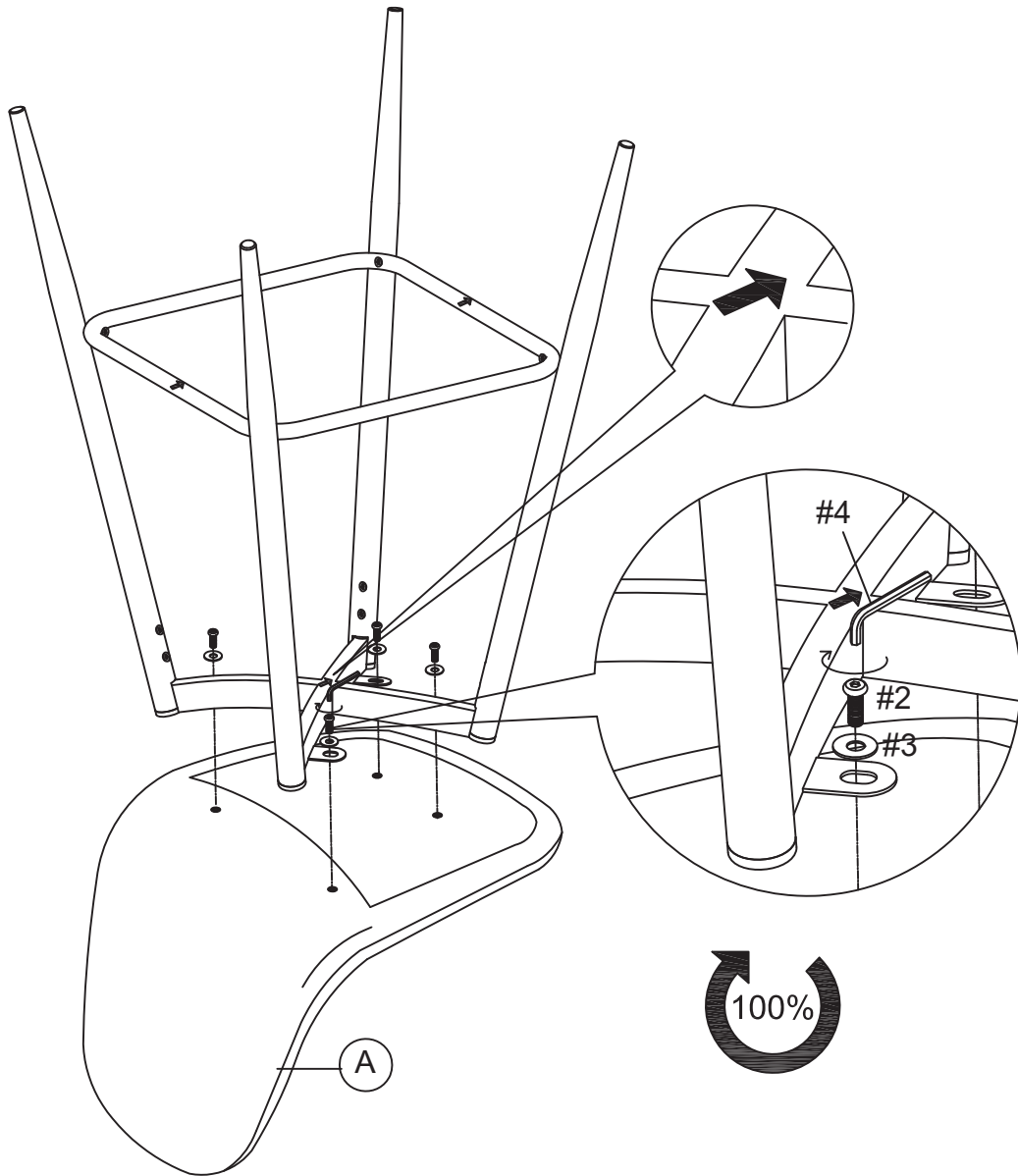
#1  X4

#2  X8

#4  X1

Step 3: Carefully turn seat (part A) upside down on a soft flat surface, such as carpet. Attach assembled unit (parts B, C, D & E) to seat (part A) using short bolts (part #2), flat washers (part #3) and allen wrench (part #4).

NOTE: Please fully tighten these bolts at this time.



#2  X4

#3  X4

#4  X1

Step 4: Carefully turn unit upright. Fully tighten all bolts at this time.

